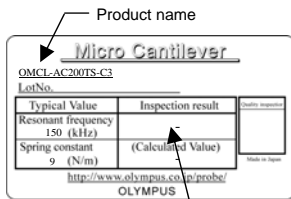


Micro cantilever

Product name

OMCL-AC200TS-C3

Silicon cantilever with a sharpened tetrahedral tip



OMCL - AC 200 T S - C 3

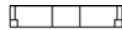
OMCL : Olympus Micro Cantilever
 AC : main application is AC mode measurement
 200 : Lever length of 200 μm
 T : sharpened Tetrahedral tip
 S : Aluminum reflex coating (Single side)
 C : 24 chips / unit
 3 : Chip thickness 0.3 mm,
 Rectangular cross section chip

Chip

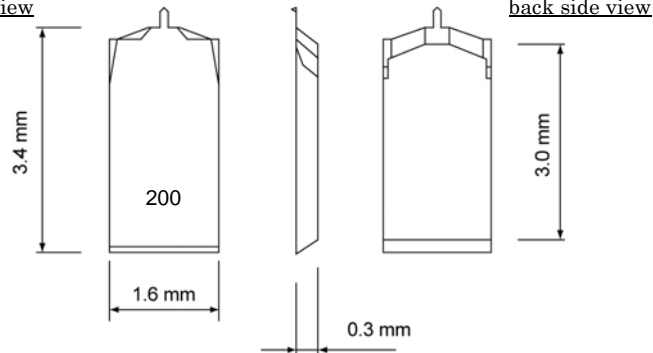
There is a rectangular cantilever on one side of the silicon chip.

Dimension

front side view



tip side view

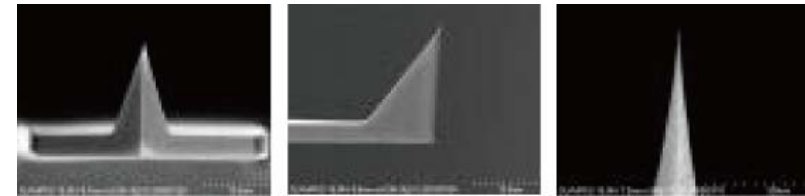


Material

Tip & Lever	Silicon (n-type, 0.01 – 0.02 ohm.cm)
Metal coating (tip side)	Non
Metal coating (ref ; ex side)	Aluminum on Silicon cantilever
Chip	Silicon (n-type, 0.01 – 0.02 ohm.cm)

Probe

The probe is a sharpened tetrahedral. The probe is fabricated on the exact end of each cantilever.



Front

Side

Front (probe apex)

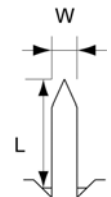
Dimensions

	Typical value	Typical range
Probe length (μm)	14	9 - 19
Tip radius (nm)	7	4 - 10
Probe tip half angle (deg.)	(axis) less than 17.5 (side) less than 17.5	
Probe side tip angle (deg.)	(front) 0, (back) 35 (side) 18, 18	

Cantilever

Dimensions

Cantilever length L (μm)	200 (± 20)
Cantilever width W (μm)	40 (± 2)
Cantilever thickness t (μm)	3.5 (± 0.6)
Thickness of Metal Coat tm (μm)	Aluminum 0.1 (± 0.04)



Calculated mechanical properties

	Typical value	Typical range
Resonant frequency (kHz)	150	100 - 200
Spring constant (N/m)	9	2.8 - 21

OLYMPUS

OMCL-AC200TS-C3

Ver.1.3 June. 3, 2011